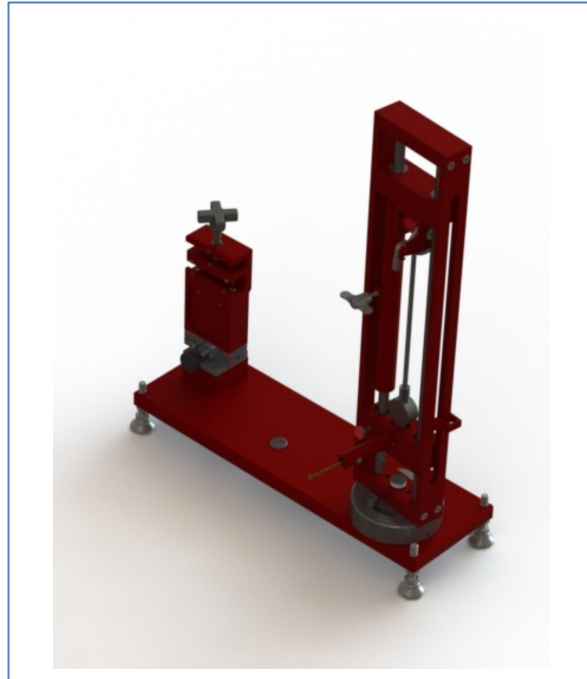
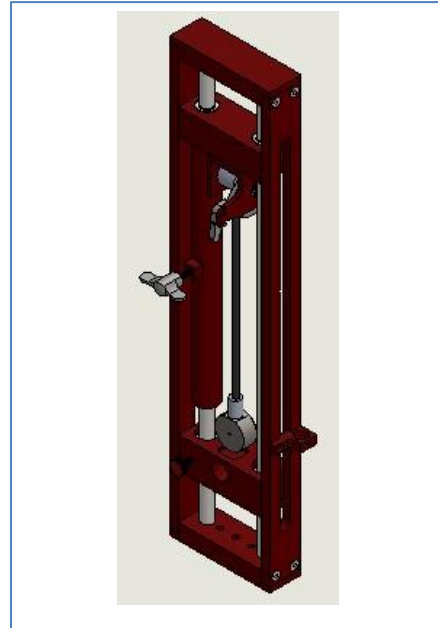


- Pendulum CT Tester
  - Part #ADC-PND-A01
  - Price: \$9,500.00
- Includes
  - Pendulum Unit
  - Accelerometer
  - Accelerometer Cable
  - Pico Scope w/ Case
  - Unit Fully Tested



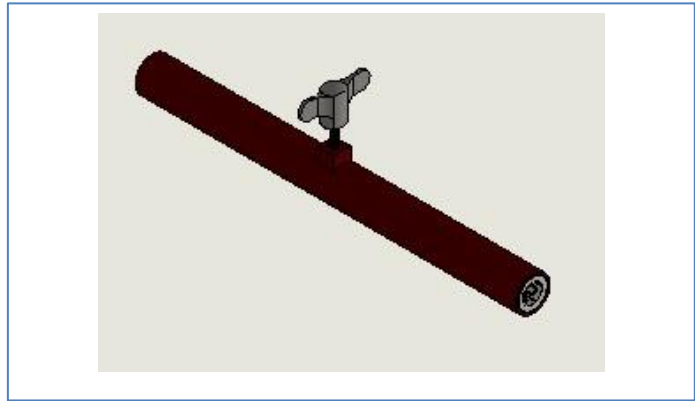
- Tower Assembly Part
  - #ADC-PND-A02
    - Price: \$4,500.00



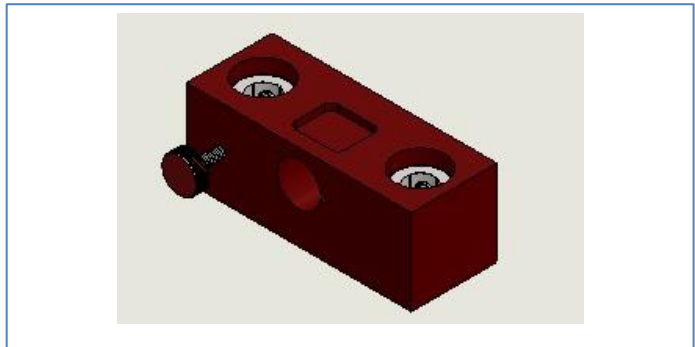
- Ratchet Assembly
  - Part #: ADC-PND-A04
    - Price: \$2,600.00



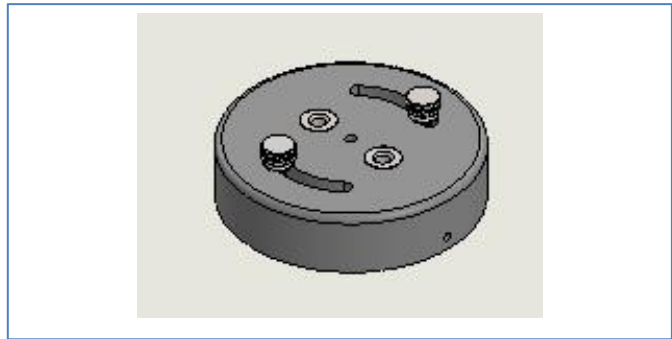
- Spacer Bar Assembly
  - Part #: ADC-PND-A06
    - Price: \$500.00



- Alignment Assembly
  - Part #: ADC-PND-A05
    - Price: \$500.00



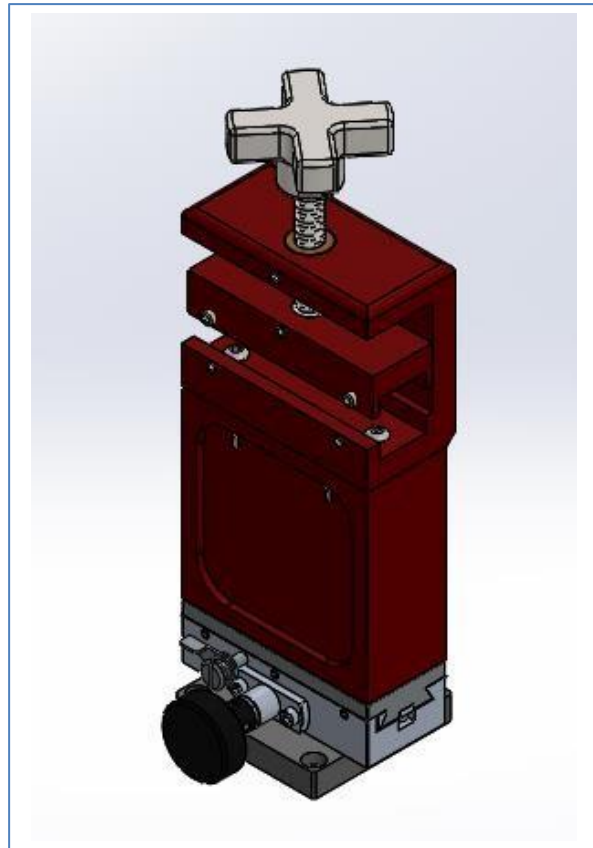
- ADC Loft Kit
  - Part #: ADC-PND-A09
    - Price: \$2,140.00



- ADC Pointer Outer Tube
  - Part #: ADC03-021.00-NL
    - Price: \$425.00



- ADC Club Clamp
  - Part #: ADC-PND-A07
    - Price: \$2,140.00



**SUB PART PRICING:**

• ADC-PND-A01	\$9,500.00
• ADC-PND-A02	\$ 4,500.00
• ADC-PND-A04	\$ 2,600.00
• ADC-PND-A06	\$ 500.00
• ADC-PND-A05	\$ 500.00
• ADC-PND-A09	\$ 2,140.00
• ADC-PND-A07	\$ 2,140.00
• ADC03-021.00-NL	\$ 425.00
• Accelerometer	\$ 640.00
• Accelerometer Cable, Right Angle	\$ 260.00
• Accelerometer Cable, BNC to BNC	\$ 80.00
• Pico Scope	\$ 1,970.00

TO ORDER:

**WORLD HEAD QUARTERS:**

AUTOMATED DESIGN CORP.  
1404 JOLIET ROAD  
ROMEOVILLE, ILLINOIS, UNITED STATES

**CONTACT ADC**

**BY PHONE: 1-630-783-1150**

**BY EMAIL: [SALES@AUTOMATEDDESIGN.COM](mailto:SALES@AUTOMATEDDESIGN.COM)**